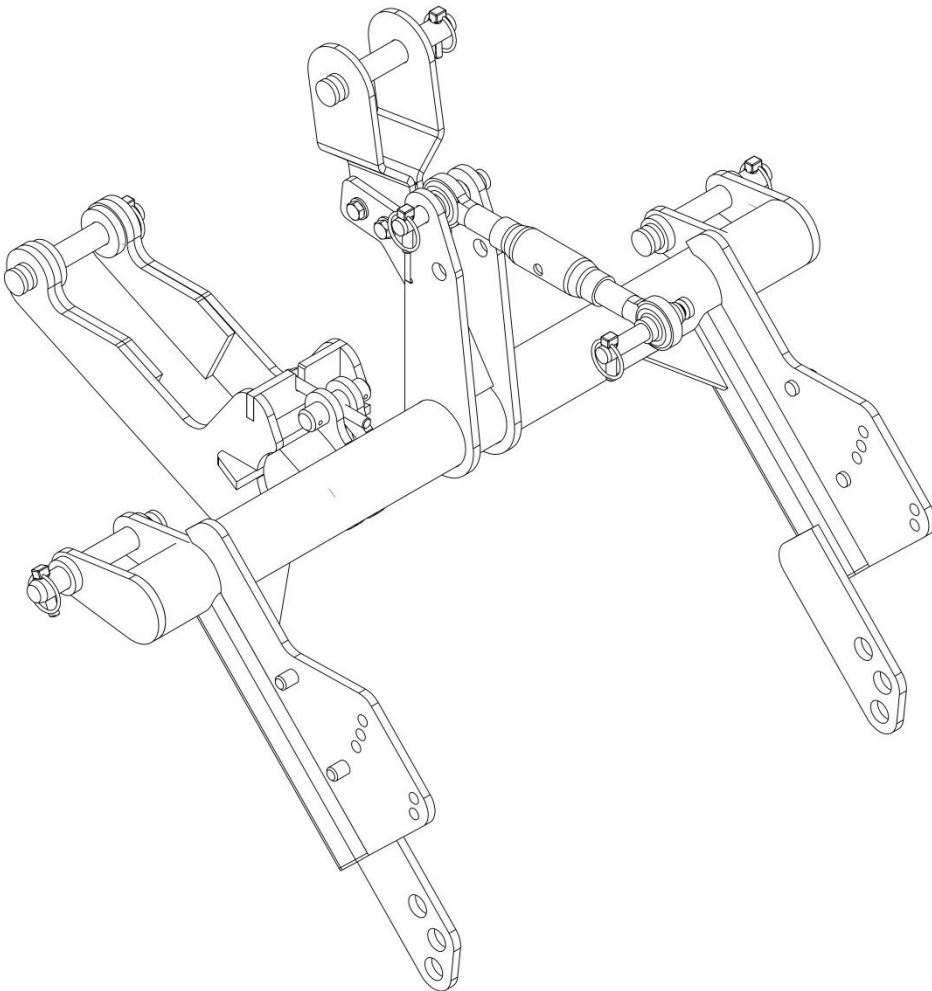


# sisis<sup>®</sup>

## IMPLEMENT MOUNTING FRAME – JOHN DEERE PRO-GATOR INSTRUCTION MANUAL





**NOTE:-**

*MAKE A NOTE OF THE SERIAL NUMBER OF YOUR MACHINE AND ALWAYS QUOTE IT IN ANY COMMUNICATION WITH PERSONNEL AT DENNIS.*

**MACHINE SERIAL NUMBER**

## INTRODUCTION

The **SISIS Mounting Frame** is virtually maintenance-free.

It is advisable to read the instructions carefully. Proper care and attention will enable the machine to give a continuous, satisfactory, and reliable service.

In the case of any difficulty, or if further information or advice is required our service department is always at your call. In the interest of speed and accuracy of information please quote the serial number of the machine when making enquiries.

## CONTENTS

	Page
Serial Numbers.....	1
Introduction.....	1
Operating Instructions.....	1
Assembly Instructions.....	2
Notes.....	3
Parts Listings.....	P0-P1
Notes.....	6

## OPERATING INSTRUCTIONS



**NOTE:-**

*PLEASE READ THESE OPERATING INSTRUCTIONS CAREFULLY BEFORE COMMENCING WORK.*

We want you to obtain the best performance from this machine. If you have any difficulty in carrying out the following instructions please contact SISIS direct or your local SISIS Territory Manager or SISIS Dealer.

**DESCRIPTION**

The SISIS Mounting Frame (FS1251) has been designed to allow the use SISIS implements with a John Deere Pro-Gator.

This forms a 3-point linkage at the rear of the vehicle that is able to supply hydraulic action forcing implements into the ground.

## SISIS Implement Mounting Frame (FS1251)

Step 1.1) Remove load carrying back. (Refer to manufactures instructions.)

Step 1.2) Remove pin from lift ram pivot point on chassis.

Step 1.3) Fit item 1 (RAM FRAME) to lift ram pivot point on chassis.

Step 1.4) Using item 2 (Frame retainer W.A) clamp the RAM frame to the tubular cross member.



**NOTE:-**

*IT MAY BE NECESSARY TO LOOSEN AND REPOSITION THE VEHICLE HARNESS WHICH IS ATTACHED TO THE CROSS MEMBER.*

Step 1.5) Turn the ram through 180 degrees and fit them to item 1 (RAM FRAME)



**NOTE:-**

*IT MAY BE NECESSARY TO LOOSEN AND REPOSITION THE HYDRAULIC HOSES FROM THE RAM. ENSURE THESE ARE RETIGHTENED.*

Step 1.6) Fit implement mounting frame over bottom link pins and secure with linch pins. Fit top link with pins and clips.

Step 1.7) Offer frame up to rear of the Pro-Gator until the holes in the jaws are aligned with the holes in the rear chassis pivot points. Fit pins.

Step 1.8) Fit ram end into item 9 (RAM LIFT ARM BRACKET). Secure with pin and clip.

Step 1.9) Operate hydraulic rear lift lever to raise the implement clear of the ground. If the implement is fitted with a drop leg, raise and lock the leg into position.

Step 1.10) Adjust the top link so that the implement is level with the ground.

**The Frame and Implement is now ready to use.**









# sisis<sup>®</sup>

**SISIS, Ashbourne Road, Kirk Langley, Derbyshire, DE6 4NJ, England**

**Tel: +44 (0) 1332 824 777  
Fax: +44 (0) 1332 824 525**

**Email: [info@sisis.com](mailto:info@sisis.com)**

**[www.sisis.com](http://www.sisis.com)**

A division of Howardson Ltd – a proudly British company  
Company reg No: 641526 – Vat No GB 345 9918 12